



Bar code scanners
CLV44x / CLV440 / Standard Density

CLV440-0010



Model Name > [CLV440-0010](#)
Part No. > [1017588](#)



At a glance

- Dynamic focus control in real time
- Reliable code recognition in real time using SMART technology
- Immune to ambient light
- Auto setup ensures automatic optimizing of reading performance
- Reflector polling provides automatic triggering
- Profile programming included
- Adjustable scanning frequency up to 800 scans per second

Your benefits

- SMART-enhanced read rates enable better performance with damaged or poorly printed codes
- Reliably reads bar codes with up to 30 degrees of tilt, increasing throughput
- Dynamic focus control allows the scanner to accommodate a large depth of field by dynamically adjusting the focus to the object distance
- No additional trigger light switch necessary due to the reflector polling function, reducing costs
- Easy to configure
- Short commissioning time
- Reliable operation
- Small size and simple setup enables fast installation, even in compact machines
- Parameter cloning plug ensures very short MTTR

The product has been discontinued. Please contact your SICK sales representative for more information about a replacement product.



Features

Version:	Standard Density
Connection type:	Standard
Reading field:	Front
Scanner design:	Line scanner
Focus:	Dynamic focus control
Focus adjustment time:	≤ 50 ms
Focus trigger source:	Switching input "Sensor 2", Serial interface, Timer
Light source:	Visible red light (650 nm)

MTBF:	20,000 h
Laser class:	2 (DIN EN 60825-1)
Field of view:	≤ 50 °
Code resolution:	0.2 mm ... 1 mm
Reading distance:	150 mm ... 840 mm ¹⁾
Scanning frequency:	300 Hz ... 800 Hz
No. of distance configurations:	8

¹⁾ For details see reading field diagram

Performance

Bar code types:	Interleaved 2 of 5, All current code types, Codabar, Code 128, Code 39, Code 93, GS1-128/EAN 128, UPC/GTIN/EAN
Print ratio:	2:1 ... 3:1
No. of codes per scan:	1 ... 20 (Standard decoder), 1 ... 6 (SMART decoder)
No. of codes per reading interval:	1 ... 50 (auto-discriminating)
No. of characters per reading interval:	500
No. of multiple readings:	1 ... 99

Interfaces

Serial (RS-232, RS-422/485):	✓
Remark (Serial (RS-232, RS-422/485)):	AUX (only RS-232)
Function (Serial (RS-232, RS-422/485)):	Host, AUX
Data transmission rate (Serial (RS-232, RS-422/485)):	300 Baud ... 57,600 Baud, AUX: 9,600 Baud
Ethernet:	✓
Remark (Ethernet):	Optional via external connection module (CDM + CMF)
CAN bus:	✓
Function (CAN bus):	SICK CAN sensor network (Master/Slave, Multiplexer)
Protocol (CAN bus):	CANopen, CSN (SICK CAN Sensor Network)
Data transmission rate (CAN bus):	10 kbit/s ... 1 Mbit/s
PROFIBUS DP:	✓
Remark (PROFIBUS DP):	Optional via external connection module (CDM + CMF)
EtherCAT:	-
DeviceNet:	✓
Remark (DeviceNet):	Optional via external connection module (CDM + CMF)
Switching inputs:	2 ("Sensor 1", "Sensor 2")
Switching outputs:	2 ("Result 1", "Result 2")
Reading pulse:	Non-powered, Reflector polling, "Sensor 1" switching input, Serial interface
Optical indicators:	4 LEDs (function indicator)
Acoustic indicators:	Beeper/buzzer (can be switched off, can be allocated as a result indication function)

Mechanics/electronics

Electrical connection:	1 x 15-pin D-Sub HD male connector (0.9 m)
Operating voltage:	10 V DC ... 30 V DC ¹⁾
Power consumption:	5 W
Housing:	Die-cast zinc, does not contain paint wetting impairment substances
Housing color:	Light blue (RAL 5012)
Enclosure rating:	IP 65 (EN 60529 (1991-10))
Protection class:	III (EN 61140 (2002-03))
Weight:	480 g, with connecting cable

Dimensions: 90 mm x 60 mm x 35.7 mm

1) UL certified for use with a Class 2 mains supply unit (checked to UL 1310)

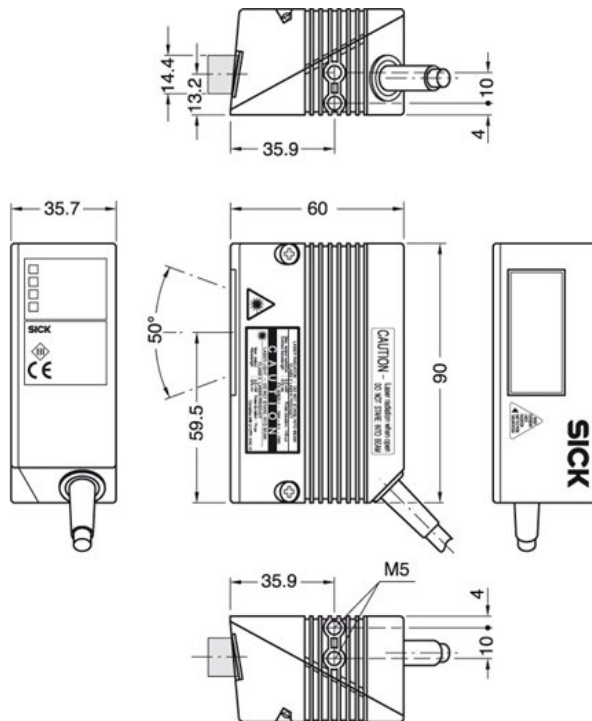
Ambient data

Electromagnetic compatibility (EMC):	EN 61000-6-2 (2001-10)/EN 61000-6-4 (2001-10)
Vibration resistance:	IEC 60068-2-27 (1993)
Shock resistance:	IEC 600682-6 (1995)
Ambient operating temperature:	0 °C ... +40 °C
Storage temperature:	-20 °C ... +70 °C
Permissible relative humidity:	± 90 %, non-condensing
Ambient light safety:	2,000 lx, on bar code
Bar code print contrast (PCS):	≥ 60 %

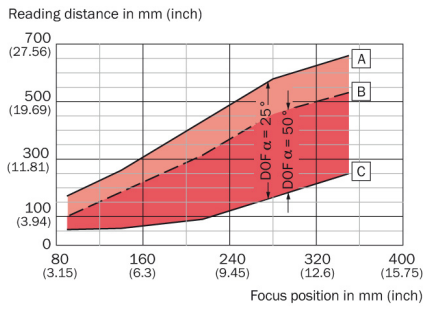
General notes

Life cycle phase: Available until September 30th, 2013

Dimensional drawing



Reading field diagram



Resolution 0.5 mm (19.7 mil)

- A max. reading distance (aperture angle 25°)
- B max. reading distance (aperture angle 50°)
- C min. reading distance

Australia

Phone +61 3 9457 0600
1800 33 48 02 – tollfree
E-Mail sales@sick.com.au

Belgium/Luxembourg

Phone +32 (0)2 466 55 66
E-Mail info@sick.be

Brasil

Phone +55 11 3215-4900
E-Mail marketing@sick.com.br

Canada

Phone +1 905 771 14 44
E-Mail information@sick.com

Česká republika

Phone +420 2 57 91 18 50
E-Mail sick@sick.cz

China

Phone +86 4000 121 000
E-Mail info.china@sick.net.cn
Phone +852-2153 6300
E-Mail ghk@sick.com.hk

Danmark

Phone +45 45 82 64 00
E-Mail sick@sick.dk

Deutschland

Phone +49 211 5301-301
E-Mail info@sick.de

España

Phone +34 93 480 31 00
E-Mail info@sick.es

France

Phone +33 1 64 62 35 00
E-Mail info@sick.fr

Great Britain

Phone +44 (0)1727 831121
E-Mail info@sick.co.uk

India

Phone +91-22-4033 8333
E-Mail info@sick-india.com

Israel

Phone +972-4-6881000
E-Mail info@sick-sensors.com

Italia

Phone +39 02 27 43 41
E-Mail info@sick.it

Japan

Phone +81 (0)3 5309 2112
E-Mail support@sick.jp

Magyarország

Phone +36 1 371 2680
E-Mail office@sick.hu

Nederland

Phone +31 (0)30 229 25 44
E-Mail info@sick.nl

Norge

Phone +47 67 81 50 00
E-Mail sick@sick.no

Österreich

Phone +43 (0)22 36 62 28 8-0
E-Mail office@sick.at

Polska

Phone +48 22 837 40 50
E-Mail info@sick.pl

România

Phone +40 356 171 120
E-Mail office@sick.ro

Russia

Phone +7-495-775-05-30
E-Mail info@sick.ru

Schweiz

Phone +41 41 619 29 39
E-Mail contact@sick.ch

Singapore

Phone +65 6744 3732
E-Mail sales.gsg@sick.com

Slovenija

Phone +386 (0)1-47 69 990
E-Mail office@sick.si

South Africa

Phone +27 11 472 3733
E-Mail info@sickautomation.co.za

South Korea

Phone +82 2 786 6321/4
E-Mail info@sickkorea.net

Suomi

Phone +358-9-25 15 800
E-Mail sick@sick.fi

Sverige

Phone +46 10 110 10 00
E-Mail info@sick.se

Taiwan

Phone +886 2 2375-6288
E-Mail sales@sick.com.tw

Türkiye

Phone +90 (216) 528 50 00
E-Mail info@sick.com.tr

United Arab Emirates

Phone +971 (0) 4 88 65 878
E-Mail info@sick.ae

USA/México

Phone +1(952) 941-6780
1 (800) 325-7425 – tollfree
E-Mail info@sickusa.com

More representatives and agencies
at www.sick.com