



Bar code scanners  
CLV49x / CLV490-0/1 / Standard Density

CLV490-0010



**Model Name** > [CLV490-0010](#)  
**Part No.** > [1016958](#)



**At a glance**

- Real-time auto focus function
- Different versions ensure coverage for a variety of module widths
- Label tilt from -45° to +45°
- Smallest housing with auto focus and reading range up to 2.2 m
- External parameter cloning plug
- An oscillating mirror scanner is also available to cover larger reading areas
- Optional internal heater
- High scanning frequency of up to 1,200 Hz

**Your benefits**

- No supplementary components necessary for changing focus position, reducing costs
- Real-time auto focus provides the best coverage of applications with a large depth of field - even for small code heights
- External parameter cloning plug ensures very short MTTR
- SMART-enhanced read rates enable better performance with damaged or poorly printed codes

**The product is currently being phased out and can be ordered until September 30, 2014. A replacement product can be found under "Replacement Products"**



**Features**

Version:	Standard Density
Connection type:	Standard
Reading field:	Front
Scanner design:	Line scanner
Focus:	Auto focus (alternative: dynamic focus control)
Focus adjustment time:	≤ 20 ms
Focus trigger source:	Data interface, Switching inputs "IN 0 ... IN 4", Timer
Light source:	Visible red light (650 nm)
MTBF:	80,000 h
Laser class:	2 (DIN EN 60825-1)
Field of view:	≤ 60 °
Code resolution:	0.25 mm ... 1 mm

Reading distance:	500 mm ... 2,100 mm <sup>1)</sup>
Switch on delay:	35 ... 40 min at -35 °C and 24 V DC
Scanning frequency:	600 Hz ... 1,200 Hz
No. of distance configurations:	8

<sup>1)</sup> For details see reading field diagram

## Performance

Bar code types:	Interleaved 2 of 5, All current code types, Codabar, Code 128, Code 39, Code 93, GS1-128/EAN 128, UPC/GTIN/EAN
Print ratio:	2:1 ... 3:1
No. of codes per scan:	1 ... 12 (Standard decoder), 1 ... 6 (SMART decoder)
No. of codes per reading interval:	1 ... 50 (auto-discriminating)
No. of characters per reading interval:	600
No. of multiple readings:	1 ... 99

## Interfaces

Serial (RS-232, RS-422/485):	✓
Remark (Serial (RS-232, RS-422/485)):	AUX (only RS-232)
Function (Serial (RS-232, RS-422/485)):	Host, AUX
Data transmission rate (Serial (RS-232, RS-422/485)):	300 Baud ... 57,600 Baud, AUX: 9,600 Baud
Ethernet:	✓
Remark (Ethernet):	Optional via external connection module (CDM + CMF)
CAN bus:	✓
Function (CAN bus):	SICK CAN sensor network (Master/Slave, Multiplexer)
Protocol (CAN bus):	CANopen, CSN (SICK CAN Sensor Network)
Data transmission rate (CAN bus):	20 kbit/s ... 1 Mbit/s
PROFIBUS DP:	✓
Remark (PROFIBUS DP):	Optional via external connection module (CDM + CMF)
EtherCAT:	-
DeviceNet:	✓
Remark (DeviceNet):	Optional via external connection module (CDM + CMF)
Switching inputs:	6 (Sensor, IN 0 ... IN 4)
Switching outputs:	4 ("Result 1" ... "Result 4")
Reading pulse:	Data interface, Non-powered, OTS (Omni tracking), "Sensor 4" switching input (+ "IN 4")
Optical indicators:	4 LEDs (function indicator)

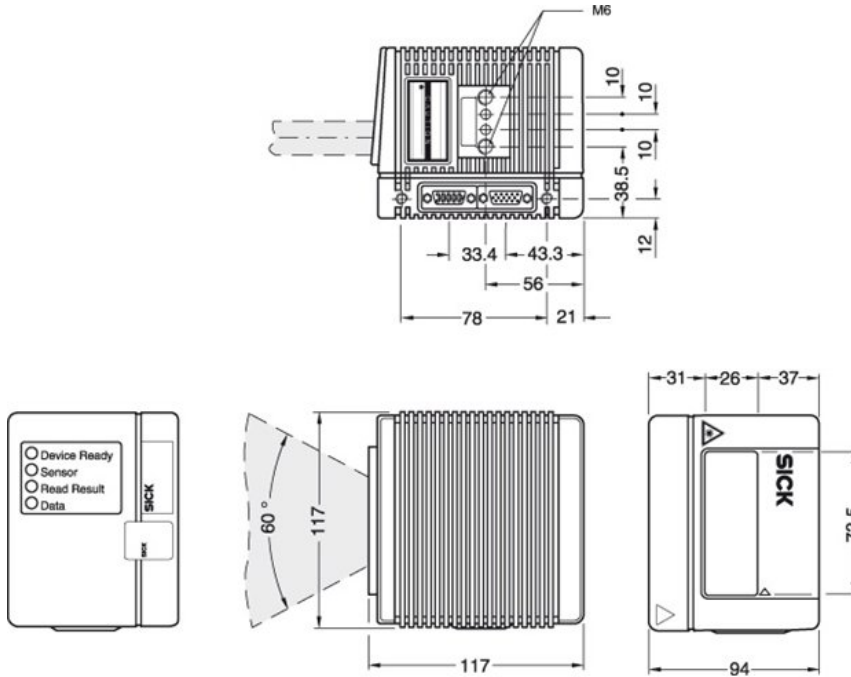
## Mechanics/electronics

Electrical connection:	1 x 15-pin D-Sub HD device female connector, 1 x 15-pin D-sub HD plug
Operating voltage:	18 V DC ... 30 V DC
Power consumption:	16 W
Housing:	Die-cast aluminum, no materials containing silicone on outside
Housing color:	Light blue (RAL 5012)
Enclosure rating:	IP 65 (DIN 40 050)
Protection class:	III (VDE 0106)
Weight:	1,500 g
Dimensions:	117 mm x 117 mm x 94 mm

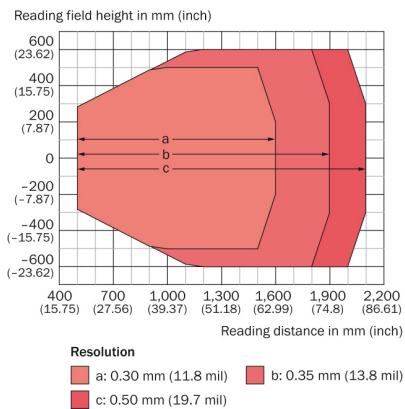
## Ambient data

Electromagnetic compatibility (EMC):	EN 61000-6-2 (2001-10)/EN 61000-6-3 (2001-10)/EN 61000-6-3/A11 (2004-07)
Vibration resistance:	EN 60068-2-6 (1995)
Shock resistance:	EN 60068-2-27 (1993)
Ambient operating temperature:	0 °C ... +40 °C
Storage temperature:	-20 °C ... +70 °C
Permissible relative humidity:	± 90 %, non-condensing
Ambient light safety:	2,000 lx, on bar code

## Dimensional drawing



## Reading field diagram



**Australia**

Phone +61 3 9457 0600  
1800 33 48 02 – tollfree  
E-Mail sales@sick.com.au

**Belgium/Luxembourg**

Phone +32 (0)2 466 55 66  
E-Mail info@sick.be

**Brasil**

Phone +55 11 3215-4900  
E-Mail marketing@sick.com.br

**Canada**

Phone +1 905 771 14 44  
E-Mail information@sick.com

**Česká republika**

Phone +420 2 57 91 18 50  
E-Mail sick@sick.cz

**China**

Phone +86 4000 121 000  
E-Mail info.china@sick.net.cn  
Phone +852-2153 6300  
E-Mail ghk@sick.com.hk

**Danmark**

Phone +45 45 82 64 00  
E-Mail sick@sick.dk

**Deutschland**

Phone +49 211 5301-301  
E-Mail info@sick.de

**España**

Phone +34 93 480 31 00  
E-Mail info@sick.es

**France**

Phone +33 1 64 62 35 00  
E-Mail info@sick.fr

**Great Britain**

Phone +44 (0)1727 831121  
E-Mail info@sick.co.uk

**India**

Phone +91-22-4033 8333  
E-Mail info@sick-india.com

**Israel**

Phone +972-4-6881000  
E-Mail info@sick-sensors.com

**Italia**

Phone +39 02 27 43 41  
E-Mail info@sick.it

**Japan**

Phone +81 (0)3 5309 2112  
E-Mail support@sick.jp

**Magyarország**

Phone +36 1 371 2680  
E-Mail office@sick.hu

**Nederland**

Phone +31 (0)30 229 25 44  
E-Mail info@sick.nl

**Norge**

Phone +47 67 81 50 00  
E-Mail sick@sick.no

**Österreich**

Phone +43 (0)22 36 62 28 8-0  
E-Mail office@sick.at

**Polska**

Phone +48 22 837 40 50  
E-Mail info@sick.pl

**România**

Phone +40 356 171 120  
E-Mail office@sick.ro

**Russia**

Phone +7-495-775-05-30  
E-Mail info@sick.ru

**Schweiz**

Phone +41 41 619 29 39  
E-Mail contact@sick.ch

**Singapore**

Phone +65 6744 3732  
E-Mail sales.gsg@sick.com

**Slovenija**

Phone +386 (0)1-47 69 990  
E-Mail office@sick.si

**South Africa**

Phone +27 11 472 3733  
E-Mail info@sickautomation.co.za

**South Korea**

Phone +82 2 786 6321/4  
E-Mail info@sickkorea.net

**Suomi**

Phone +358-9-25 15 800  
E-Mail sick@sick.fi

**Sverige**

Phone +46 10 110 10 00  
E-Mail info@sick.se

**Taiwan**

Phone +886 2 2375-6288  
E-Mail sales@sick.com.tw

**Türkiye**

Phone +90 (216) 528 50 00  
E-Mail info@sick.com.tr

**United Arab Emirates**

Phone +971 (0) 4 88 65 878  
E-Mail info@sick.ae

**USA/México**

Phone +1(952) 941-6780  
1 (800) 325-7425 – tollfree  
E-Mail info@sickusa.com

More representatives and agencies  
at [www.sick.com](http://www.sick.com)