



Optical data transmission
ISD400, ISD400 Core

ISD400-1111



Model Name > [ISD400-1111](#)
Part No. > [1042286](#)



At a glance

- Adjustable carrier frequency F1/F2
- PROFIBUS interface
- Connection and setup without opening device
- Simple installation thanks to optical and electronic alignment help
- Up to 3 Mbit/s optical transfer rate
- Integrated repeater

Your benefits

- An integrated optical and electronic alignment aid supports fast and cost efficient installation
- The electronically adjustable carrier frequency allows each ISD400 to be used as either sender or receiver unit, thus reducing stock keeping costs
- Large operating temperature range guarantees highest machine up times - even in cold stores
- Integrated PROFIBUS repeater allows a cost-efficient multimaster configuration such as PROFIBUS FMS
- Increased system speed with fast data transmission



Performance

| | |
|----------------------------------|------------------------|
| Light source: | LED, infrared (880 nm) |
| Heating: | - |
| Typ. light spot size (distance): | 1.75 m (at 100 m) |
| Transmission range: | 0.2 m ... 180 m |
| Field of view: | Ca. ± 0.5 ° |

Interfaces

| | |
|-------------------------|--|
| Data transmission rate: | 3 Mbit/s |
| Switching output: | HIGH: U _v - 3 V, LOW: < 2 V |
| Switching input: | V _s : sender deactivated |
| Signal delay: | ≤ 1 μs + 2 Tbit ¹⁾ |
| Data interface: | PROFIBUS DP |

¹⁾ 1 μs + 2 Tbit only for PROFIBUS

Mechanics/electronics

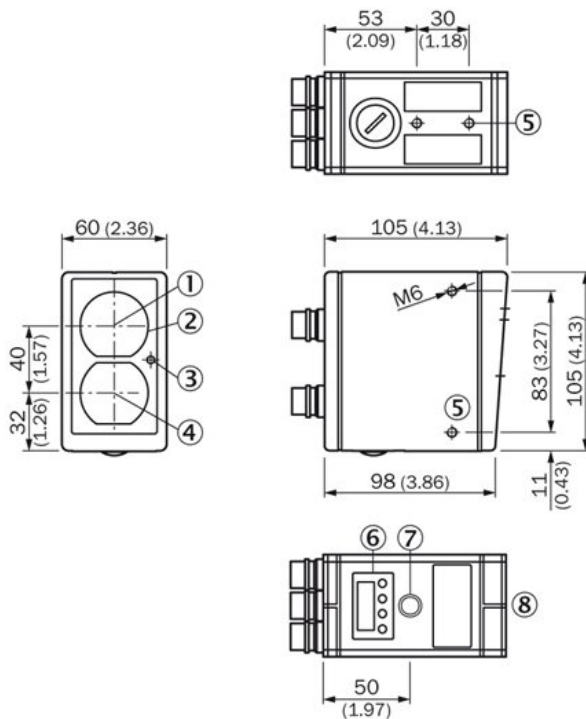
| | |
|------------------------|-----------------------|
| Supply voltage V_s : | DC 18 V ... 30 V |
| Power consumption: | ≤ 0.4 A |
| Weight: | Ca. 900 g |
| Housing material: | Metal |
| Connection type: | Connector, M12, 4-pin |

Ambient data

| | |
|--------------------------------------|---|
| Enclosure rating: | IP 65 |
| Protection class: | III |
| Electromagnetic compatibility (EMC): | EN 61000-6-2/EN 61000-6-4 ¹⁾ |
| Ambient operating temperature: | -25 °C ... +55 °C |
| Storage temperature: | -40 °C ... +75 °C |
| Max. rel. humidity (not condensing): | 90 %, non-condensing |

¹⁾ This is a Class A device. This device can cause radio interference in living quarters.

Dimensional drawing



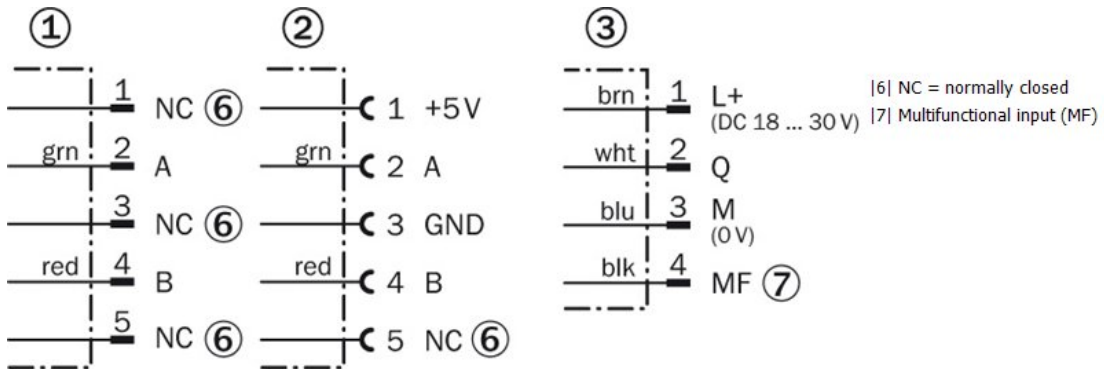
- |1| Optical axis, sender
- |2| View finder lens
- |3| Function indicator/level warning
- |4| Optical axis, receiver
- |5| Threaded mounting hole M6
- |6| Liquid crystal display with funktion keys
- |7| Optical adjustment aid
- |8| Alignment sight

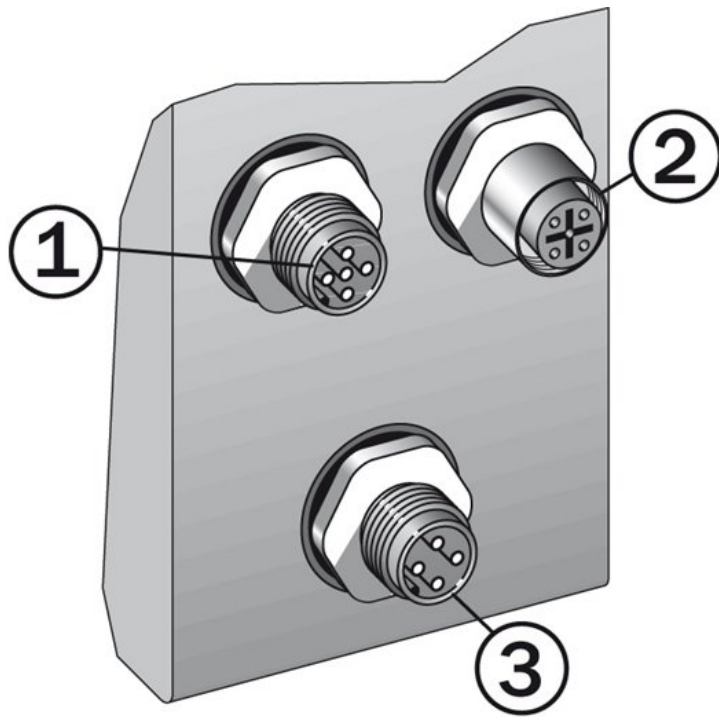
Adjustments



|6| Liquid crystal display with funktion keys

Connection diagram





Australia

Phone +61 3 9457 0600
1800 33 48 02 – tollfree
E-Mail sales@sick.com.au

Belgium/Luxembourg

Phone +32 (0)2 466 55 66
E-Mail info@sick.be

Brasil

Phone +55 11 3215-4900
E-Mail marketing@sick.com.br

Canada

Phone +1 905 771 14 44
E-Mail information@sick.com

Česká republika

Phone +420 2 57 91 18 50
E-Mail sick@sick.cz

China

Phone +86 4000 121 000
E-Mail info.china@sick.net.cn
Phone +852-2153 6300
E-Mail ghk@sick.com.hk

Danmark

Phone +45 45 82 64 00
E-Mail sick@sick.dk

Deutschland

Phone +49 211 5301-301
E-Mail info@sick.de

España

Phone +34 93 480 31 00
E-Mail info@sick.es

France

Phone +33 1 64 62 35 00
E-Mail info@sick.fr

Great Britain

Phone +44 (0)1727 831121
E-Mail info@sick.co.uk

India

Phone +91-22-4033 8333
E-Mail info@sick-india.com

Israel

Phone +972-4-6881000
E-Mail info@sick-sensors.com

Italia

Phone +39 02 27 43 41
E-Mail info@sick.it

Japan

Phone +81 (0)3 5309 2112
E-Mail support@sick.jp

Magyarország

Phone +36 1 371 2680
E-Mail office@sick.hu

Nederland

Phone +31 (0)30 229 25 44
E-Mail info@sick.nl

Norge

Phone +47 67 81 50 00
E-Mail sick@sick.no

Österreich

Phone +43 (0)22 36 62 28 8-0
E-Mail office@sick.at

Polska

Phone +48 22 837 40 50
E-Mail info@sick.pl

România

Phone +40 356 171 120
E-Mail office@sick.ro

Russia

Phone +7-495-775-05-30
E-Mail info@sick.ru

Schweiz

Phone +41 41 619 29 39
E-Mail contact@sick.ch

Singapore

Phone +65 6744 3732
E-Mail sales.gsg@sick.com

Slovenija

Phone +386 (0)1-47 69 990
E-Mail office@sick.si

South Africa

Phone +27 11 472 3733
E-Mail info@sickautomation.co.za

South Korea

Phone +82 2 786 6321/4
E-Mail info@sickkorea.net

Suomi

Phone +358-9-25 15 800
E-Mail sick@sick.fi

Sverige

Phone +46 10 110 10 00
E-Mail info@sick.se

Taiwan

Phone +886 2 2375-6288
E-Mail sales@sick.com.tw

Türkiye

Phone +90 (216) 528 50 00
E-Mail info@sick.com.tr

United Arab Emirates

Phone +971 (0) 4 88 65 878
E-Mail info@sick.ae

USA/México

Phone +1(952) 941-6780
1 (800) 325-7425 – tollfree
E-Mail info@sickusa.com

More representatives and agencies
at www.sick.com