



Level sensors
Ultrasonic level sensor, UP56-211

UP56-211112



Model Name > [UP56-211112](#)
Part No. > [6041661](#)



Illustration may differ

At a glance

- Non-contact level measurement up to 3.4 m operating distance / 8.0 m limit scanning distance
- Pressure resistant up to 6 bar (87 psi)
- Transducer protected by PVDF cover for increased resistance
- 3 in 1: continuous level measurement, level switch and display
- Analog output switchable between 4 mA ... 20 mA and 0 V ... 10 V
- Process connector thread G 1 and G 2
- IP 67 enclosure rating
- Easy to set parameters, also via connect+

Your benefits

- Non-contact measurement in pressurized containers - no wear over time
- Easy to set parameters, saving time
- Flexible measurement system for different container sizes - standardization and stock reduction
- One product for point level and continuous applications, reduces the number of sensors required



Features

Medium:	Fluids
Measurement:	Switch, Continuous
Limiting scanning distance:	30 mm ... 990 mm ¹⁾
Operating distance:	30 mm ... 250 mm
Process pressure:	0 bar ... 6 bar, gauge pressure
Process temperature:	-25 °C ... 70 °C

¹⁾ At 6 bar gauge

Performance

Resolution:	0.18 mm
Accuracy of sensor element:	≤ 2 % ¹⁾
Repeatability:	± 0.15 % ²⁾
Response time:	≤ 68 ms ³⁾

^{1) 2)} Of final value ³⁾ Recovery time 32 ms ... 180 ms according to EMC EN 60947-5-7

Mechanical data

Housing material: Stainless steel 1.4571, PBT, TPU
Process connection: G 1 A PN 6

Electrical data

Ultrasonic frequency: 320 kHz
Enclosure rating: IP 67
Supply voltage: 9 V DC ... 30 V DC ¹⁾
Ripple: $\pm 10 \%$
Power consumption: $\leq 80 \text{ mA}$ ²⁾
Time delay before availability: $\leq 300 \text{ ms}$
Output signal: 2x PNP
Hysteresis: 3 mm
Signal voltage HIGH: $U_v - 3 \text{ V}$
Connection type: Round connector M12 x 1, 5-pin
Ultrasonic transducer: PTFE coating, FFKM

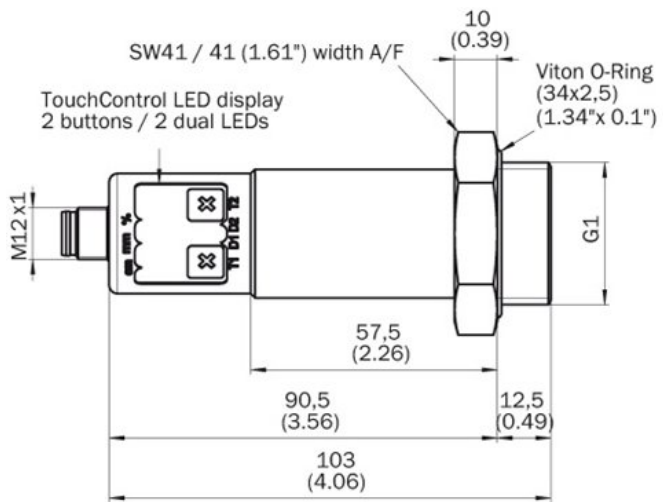
¹⁾ Reverse-polarity protected ²⁾ At 24 V DC without output load

Ambient data

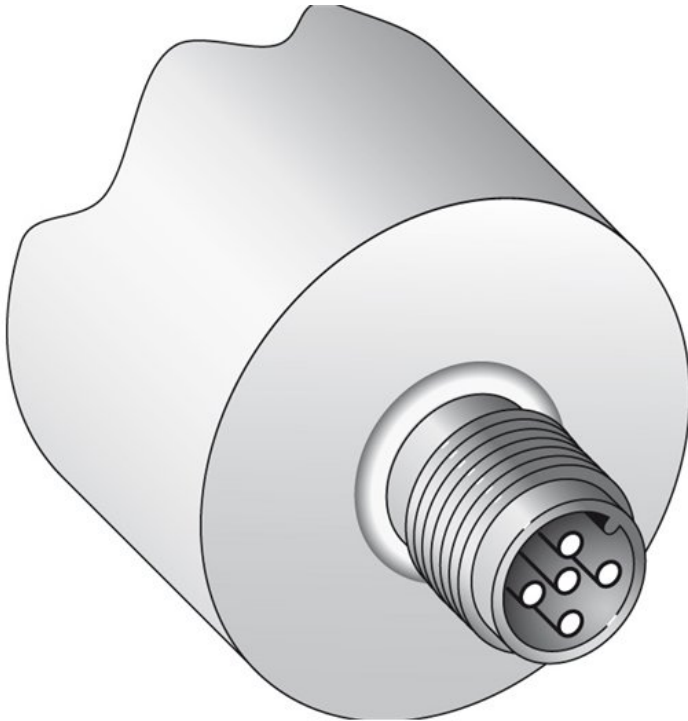
Ambient operating temperature: $-25 \text{ }^\circ\text{C} \dots 70 \text{ }^\circ\text{C}$ ¹⁾
Ambient storage temperature: $-40 \text{ }^\circ\text{C} \dots 85 \text{ }^\circ\text{C}$

¹⁾ Temperature compensation at $-25 \text{ }^\circ\text{C} \dots 50 \text{ }^\circ\text{C}$, can be switched off

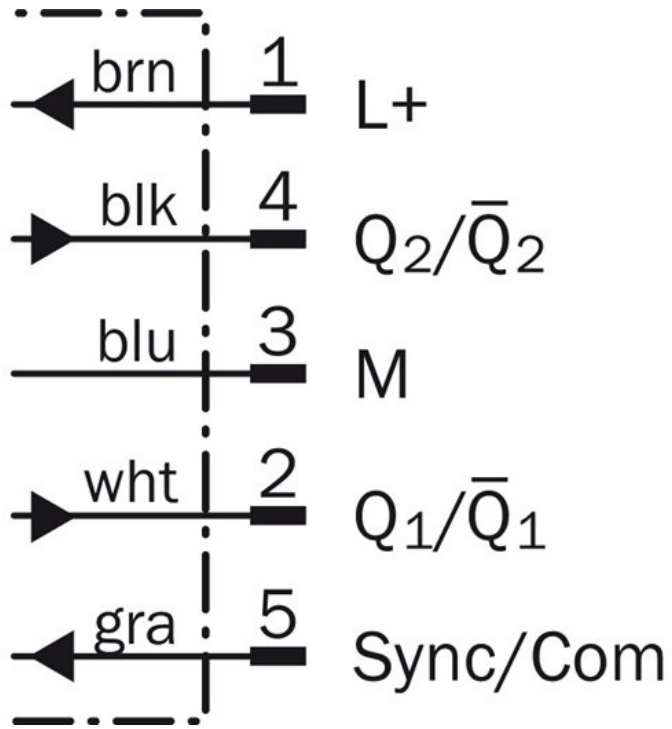
Dimensional drawing



Connection type



Connection diagram



Australia

Phone +61 3 9457 0600
1800 33 48 02 – tollfree
E-Mail sales@sick.com.au

Belgium/Luxembourg

Phone +32 (0)2 466 55 66
E-Mail info@sick.be

Brasil

Phone +55 11 3215-4900
E-Mail marketing@sick.com.br

Canada

Phone +1 905 771 14 44
E-Mail information@sick.com

Česká republika

Phone +420 2 57 91 18 50
E-Mail sick@sick.cz

China

Phone +86 4000 121 000
E-Mail info.china@sick.net.cn
Phone +852-2153 6300
E-Mail ghk@sick.com.hk

Danmark

Phone +45 45 82 64 00
E-Mail sick@sick.dk

Deutschland

Phone +49 211 5301-301
E-Mail info@sick.de

España

Phone +34 93 480 31 00
E-Mail info@sick.es

France

Phone +33 1 64 62 35 00
E-Mail info@sick.fr

Great Britain

Phone +44 (0)1727 831121
E-Mail info@sick.co.uk

India

Phone +91-22-4033 8333
E-Mail info@sick-india.com

Israel

Phone +972-4-6881000
E-Mail info@sick-sensors.com

Italia

Phone +39 02 27 43 41
E-Mail info@sick.it

Japan

Phone +81 (0)3 5309 2112
E-Mail support@sick.jp

Magyarország

Phone +36 1 371 2680
E-Mail office@sick.hu

Nederland

Phone +31 (0)30 229 25 44
E-Mail info@sick.nl

Norge

Phone +47 67 81 50 00
E-Mail sick@sick.no

Österreich

Phone +43 (0)22 36 62 28 8-0
E-Mail office@sick.at

Polska

Phone +48 22 837 40 50
E-Mail info@sick.pl

România

Phone +40 356 171 120
E-Mail office@sick.ro

Russia

Phone +7-495-775-05-30
E-Mail info@sick.ru

Schweiz

Phone +41 41 619 29 39
E-Mail contact@sick.ch

Singapore

Phone +65 6744 3732
E-Mail sales.gsg@sick.com

Slovenija

Phone +386 (0)1-47 69 990
E-Mail office@sick.si

South Africa

Phone +27 11 472 3733
E-Mail info@sickautomation.co.za

South Korea

Phone +82 2 786 6321/4
E-Mail info@sickkorea.net

Suomi

Phone +358-9-25 15 800
E-Mail sick@sick.fi

Sverige

Phone +46 10 110 10 00
E-Mail info@sick.se

Taiwan

Phone +886 2 2375-6288
E-Mail sales@sick.com.tw

Türkiye

Phone +90 (216) 528 50 00
E-Mail info@sick.com.tr

United Arab Emirates

Phone +971 (0) 4 88 65 878
E-Mail info@sick.ae

USA/México

Phone +1(952) 941-6780
1 (800) 325-7425 – tollfree
E-Mail info@sickusa.com

More representatives and agencies
at www.sick.com